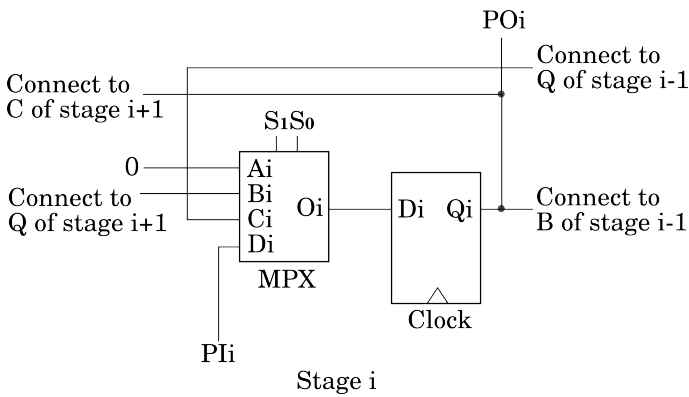


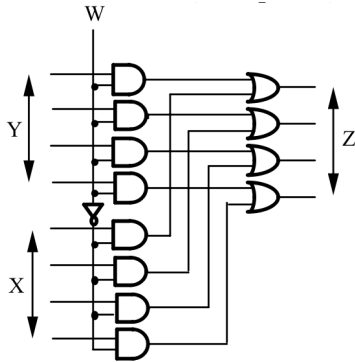
Tutorial 8: Solution

Problem 1



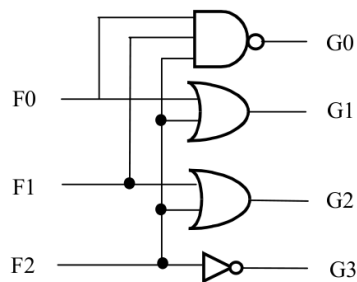
Problem 2

It's just a 4-bit multiplexer!



Problem 3

F2 F1 F0	G3	G2	G1	G0
0 0 0	X	0	0	1
0 0 1	X	0	1	1
0 1 0	X	1	0	1
0 1 1	1	1	1	1
1 0 0	0	1	1	1
1 0 1	0	1	1	1
1 1 0	0	1	1	1
1 1 1	X	X	X	0



Problem 4

